

JIANGSU WUJIN KAILI ELECTRONIC FACTORY

SPECIFICATION SHEET

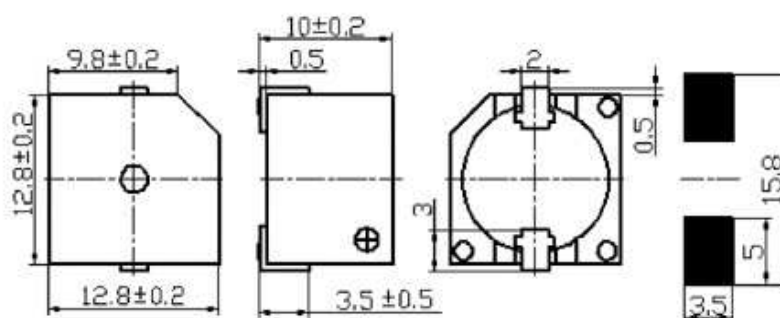
ELECTRONIC SPECIFICATION:



HCT1310A SERIES:

Type	HCT1310A01	HCT1310A05	HCT1310A12
Rated Voltage (V)	1.5	5	12
Operating Voltage (V)	1~3	4~8	8~16
Rated Current (MA)	<30	< 40	< 40
Coil Resistance (ohm)	16 ± 3	45 ± 5	140 ± 14
Coil Impedance (ohm)	40	80	240
Sound Output at 10cm (dB)	> 80	> 85	> 85
Resonant Frequency (Hz)	2400	2400	2400
Operating Temperature (C)	-25 ~ +70	-25 ~ +70	-25 ~ +70
Storage Temperature (C)	-30 ~ +85	-30 ~ +85	-30 ~ +85
Dimension	12.8*12.8*H10.0		
Weight (g)	2		

Value applying rated voltage (2400Hz, 1/2duty, square wave)



JIANGSU WUJIN KAILI ELECTRONIC FACTORY

Miaoqiao Town, Changzhou city, Jiangsu, China 213167

TEL: 0086-519-86462433; 86712320

FAX: 0086-519-86471336; 86712320

E-mail: kailiec@jmail.com.cn

[Http://www.piezo-buzzers.com](http://www.piezo-buzzers.com)